

LT 400

LOADTECH
LOAD CELLS



Model LT400 load cells are manufactured from aircraft grade anodised aluminium or high grade electroless nickel plated steel.

The 'S' design can be used in tension or compression, but is best suited to tension applications where the side forces can be contained.

IP66 protection ensures long operating life in indoor and outdoor applications.

Model LT 400 low cost, high accuracy "S" type load cell.

Commercial applications include mechanical scale conversions and small hanging scales. Industrial applications include packaging machines, belt conveyors, and small batching systems.

Capacities 50 kg to 2 000 kg

Anodised aluminium 50-500 kg

Electroless nickel plated steel 1 000 - 2 000 kg

IP66 protection

Cost effective solution for scale conversions and small industrial weighing systems

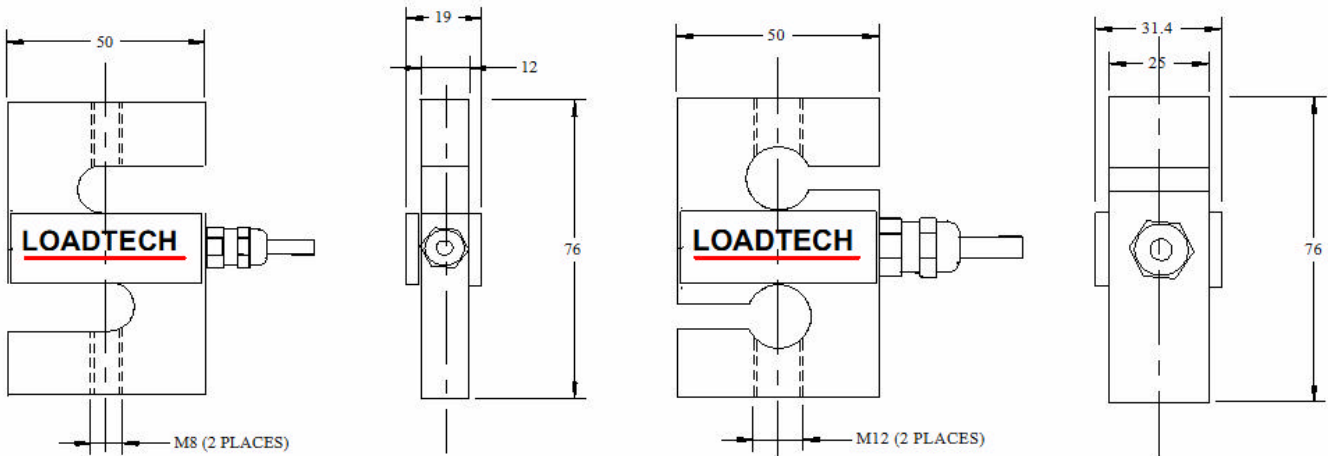
Manufactured by :

LOADTECH LOAD CELLS (PTY) LTD
134 Sarel Baard Crescent
Gateway Industrial Park
Centurion, Gauteng
P.O. Box 9947, Centurion 0046

Tel : 012 661 0830
Fax : 012 661 0816
E-mail : sales@loadtech.co.za

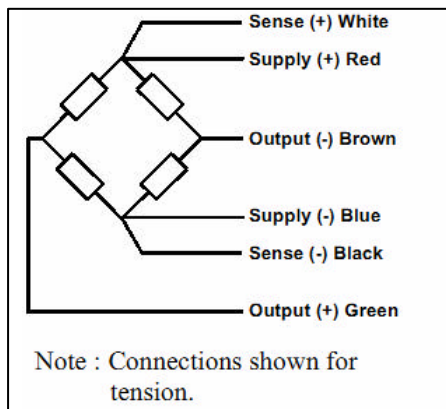
LT400 SPECIFICATIONS

ACCURACY CLASS	0.1%	0.05%	0.03%	UNITS
Rated capacities	50,75,100,200,300,500,1000,1500 and 2000			kg
Rated output	3.0 + / - 0.1%			mV/V
Total error	0.1	0.05	0.03	+ - % of Applied load
Creep at rated capacity: Zero return	0.1	0.05	0.03	+ - % of Applied load
Zero Balance	0.5	0.5	0.5	+ - % of Rated Output
Temperature Range : Operating : Compensated	-30C to + 80 0C to + 40			C
Temperature Effect : On Output : On Zero	0.007 0.015	0.004 0.007	0.003 0.003	+ - % of Applied Load/C + - % of Rated Output/C
Safe Overload	120			+ - % of Rated Capacity
Ultimate Overload	250			+ - % of Rated Capacity
Excitation: Recommended : Maximum	10 15			Volts AC or Dc Volts AC or Dc
Input Impedance	350 + / - 3			Ohms
Output Impedance	350 + / - 3			Ohms
Insulation Resistance	>1000			Mega ohms
Deflection at rated capacity	< 0.4			mm
Weight 50, 75 and 100 kg	0.5			kg
200,300 and 500 kg	0.5			kg
1000,1500 and 2000 kg	1.5			kg
Construction material 50-500 kg	Annodised Aluminium			
1000-2000 kg	Electroless Nickel Plated Tool Steel			
Environmental protection	IP66			
Cable	5 meter 6 wire screened			



50-100 kg Load Cells

200-2000 kg Load Cells



MANUFACTURED BY :

134 Sarel Baard Cresent
 Gateway Industrial Park
 Centurion Gauteng
 P.O. Box 9947
 Centurion 0046
 Tel : 012 661 0830
 Fax : 012 661 0816
 E-mail : sales@loadtech.co.za

Note : These specifications are
 Subject to change without notice